



# SB-60M

PIPELAYER



**EXTRA**

■ **Net Horsepower**  
231 kW (310 hp)

■ **Max Lifting Capacity**  
72000 kg (158,731 lb)

■ **Operating Weight**  
50935 kg (112,293 lb)

The DRESSTA SB-60M Extra has been specially designed to handle and lay pipes. The pipelayer provides excellent choice for majority of gas and petroleum as well as utility projects.

Powerful engine combined with power train and wide LGP tracks provides an outstanding traction and stability especially in tough muddy environment. The SB-60M and its specialized equipment is the perfect choice for modern busy pipelines construction sites.



Work safety is ensured by the use of emergency hook lowering  
and load indicator

---

# SB-60M Extra – Great P



Pipelaying equipment consists of complete boom system on the left side and counterweights, hydraulic winches for hook and boom with multiple-disc brakes for reliable and smooth operations, on the right side of the machine.

ng system, automatic boom kick-out, hook block limit switch  
icator devices.

# Performance and Reliability

# High stability Easy operation

# S



Side boom and hook are controlled by hydraulically driven heavy duty winches.



Optional electronic safe load indicator (ESLI) displays necessary load handling information.



Cab roof window provides full view for emergency operations while the emergency operator's safety.

# B-60M

The Cummins QSM11 engine meets EU Stage IIIA and EPA Tier 3 emissions standards. The engine combines the highly efficient electronically controlled fuel injection system with high reliability, durability and long maintenance intervals.



Full vision of all  
by hatch ensures  
.



The two front levers control winches of the pipelaying equipment while the side levers actuate two counterweights that maintain the proper stability of the machine.

Six-sided removable cab with deluxe interior provides excellent visibility, operator's comfort and operations ease with low effort controls. The sound suppressed cab may be optionally equipped with two-post ROPS protecting an operator.

The instrument panels provide the operator with all necessary performance data.

The left hand side joystick controls transmission system and steering drive of the machine. The right hand side four levers control all movements of the pipelaying equipment.

# Specification

## ENGINE

* Make and Model.....	CUMMINS QSM11
Type .....	In-line, 6-cylinder
Aspiration .....	Turbocharged and CAC
Gross Horsepower, SAE J1995 .....	261 kW (350 hp)
** Net Horsepower, SAE J1349/ISO 9249 .....	231 kW (310 hp)
Rated rpm .....	2000 rpm
Maximum torque @ 1400 rpm .....	1830 Nm (1,350 lb ft)
Displacement.....	11 l (671 in <sup>3</sup> )
Bore and Stroke.....	125 x 147 mm (4.92" x 5.79")
Air Cleaner .....	dry type with exhaust aspirated
	primary and safety elements and service indicator

\* Meets EU Stage IIIA and EPA Tier 3 emission regulations

\*\* Net Horsepower at the minimum speed of hydraulic fan 258 kW (346 hp)

## FINAL DRIVES

Double-reduction module provides desired gear reduction at the sprocket. Sprocket distributes wear evenly over track bushings letting every tooth ride free one-half of the time to reduce wear. Final drives or sprockets are replaceable without removing track frames.

## TRACK FRAME

Non-oscillating type, all-welded heavy box section track frame

Track rollers, each side.....	8
Top idlers, each side.....	2
Front idlers (drum type) each side .....	1
All rollers and idlers .....	Lifespan lubricated

## TRANSMISSION & TORQUE CONVERTER

Modular, countershaft type power shift, electro-hydraulic control. Single stage 330 mm (13") torque converter with a 2.5:1 stall ratio drives to transmission through a double universal joint.

## TRACKS

The split master link reduces chain removal and installation time.

Track shoe width, standard .....	762 mm (30")
Track shoes, each side.....	41
Ground contact area .....	5.36 m <sup>2</sup> (8308 in <sup>2</sup> )
Ground pressure .....	93.2 kPa (13.5 psi)
Height of grouser.....	76 mm (3")
Track adjustment .....	full hydraulic
Ground clearance.....	500 mm (19.6")

## TRAVEL SPEEDS

Gear	Range	Forward		Reverse	
		km/h	(mph)	km/h	(mph)
1st	Low	2.8	(1.7)	3.4	(2.1)
	High	3.7	(2.3)	4.5	(2.8)
2nd	Low	4.8	(3.0)	5.9	(3.7)
	High	6.3	(3.9)	7.6	(4.7)
3rd	Low	7.8	(4.8)	9.4	(5.8)
	High	10.1	(6.3)	12.2	(7.6)

## REFILL CAPACITIES

	Liter	(US gal)
Fuel tank	690	(182.0)
Cooling system	46	(12.0)
Crankcase w/filter	40	(10.6)
Transmission system	240	(63.4)
Final drive, each side	95	(25.0)
Hydraulic reservoir	195	(51.5)

## STEERING & BRAKING

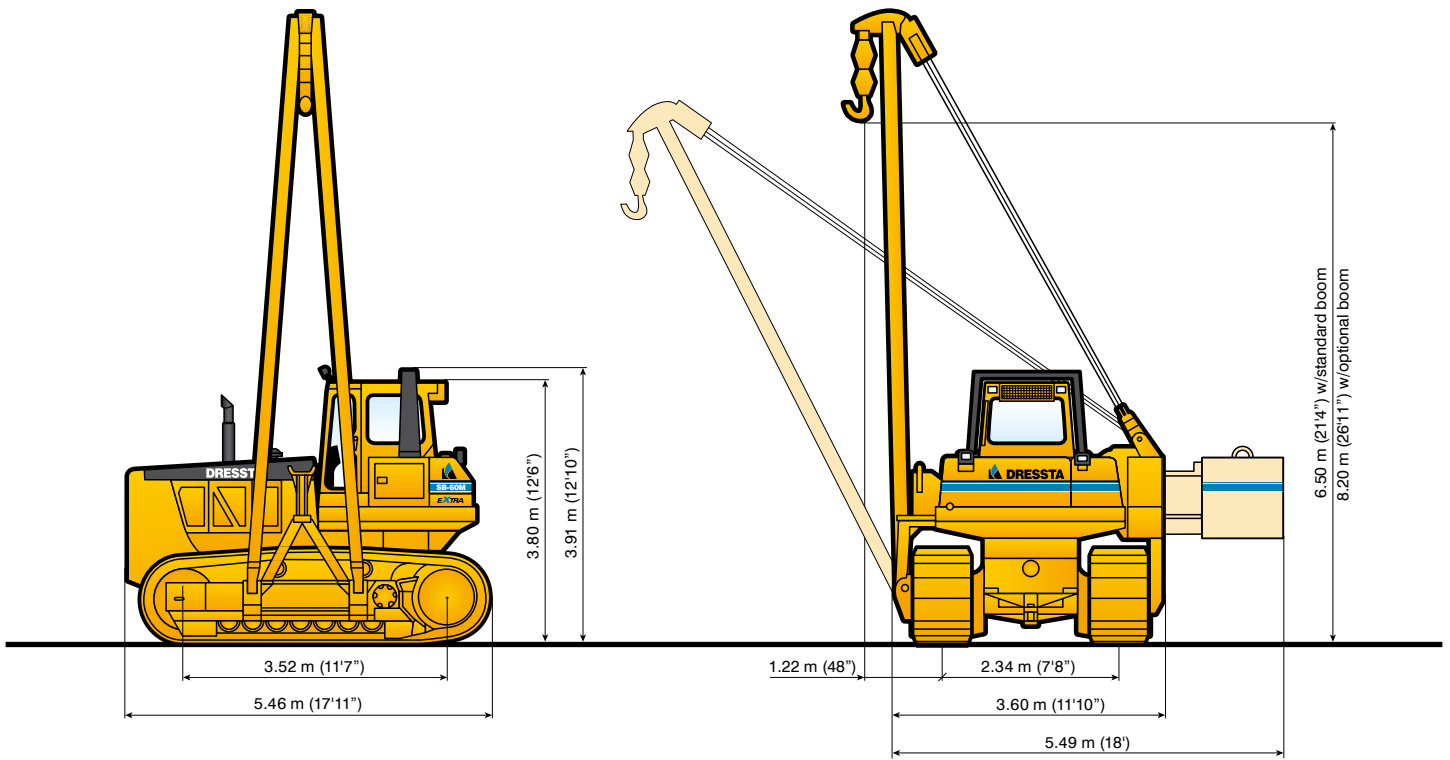
Two speed geared steering module provides gradual turns while maintaining full power to both tracks plus conventional clutch-brake performance for tight or pivot turns. This type of steering system offers superior traction in all types of operations and terrain. Coupled to 3-speed transmission provides 6 speeds forward and 6 reverse. The left hand joystick controls transmission and steering drive for up and down shifting, steering, Hi/Lo selection and LH/RH gradual geared turn. Foot pedal applies both brakes for parking and downhill control. Brakes are spring applied and hydraulically released.

## OPERATING WEIGHT

Includes standard equipment and full fuel ..... 50 935 kg (112,293 lb)

## OVERALL DIMENSIONS WITH EQUIPMENT

Width, w/o counterweights and boom .....	3.60 m (11'10")
Width, counterweights extended.....	5.49 m (18')
Overall length.....	5.46 m (17'11")
Height w/o boom .....	3.91 m (12'10")
Track on ground.....	3.52 m (11'7")



## PIPELAYING EQUIPMENT

### COUNTERWEIGHTS

Adjustable, hydraulically controlled:

Counterweight frames .....	2280 kg (5,026 lb)
4 blocks at 2340 kg (5,159 lb) each .....	9360 kg (20,635 lb)
Total weight extendable .....	11 640 kg (25,660 lb)

### BOOM

Welded box section. Length of standard boom – 7.315 m (24') and optional boom – 9.0 m (29'6").

### LIVE POWER

Continuous power to pipelayer winches, independent of torque converter.

### WINCH TRANSMISSION

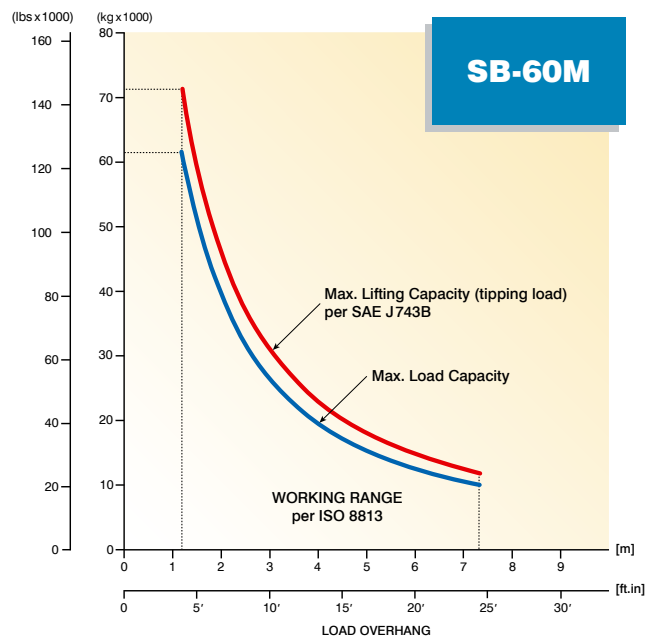
Planetary gear box, 2 speeds for raising, 2 for lowering.

### DRUMS

Operated independently or simultaneously.

	HOOK	BOOM
Drum diameter .....	359 mm (14.1")	359 mm (14.1")
Max capacity with 19 mm (3/4") cable .....	92 m (301'10")	78 m (255'11")

### LIFTING CAPACITY (for standard 7.315 m (24") boom)



### SPECIFIED EQUIPMENT

- 19 mm (3/4") WIRE ROPE, 26300 kg (57,981 lb) MINIMUM BREAKING STRENGTH
- 4 PART LOAD LINE
- 3 PART BOOM LINE
- COUNTERWEIGHTS EXTENDED – 11640 kg (25,660 lb)

### HOOK SPEEDS (bare drum)

	m/min	(ft/min)
Raise/Lower		
– Low .....	10.5/10.2	(34.4/33.5)
– High .....	19.8/19.4	(65.0/63.6)



### STANDARD EQUIPMENT

- Air cleaner, dry type w/exhaust aspirated primary and safety elements and service indicator
- Alarm back-up
- Alternator, 50 A
- Antifreeze, -37°C (-34°F)
- Batteries, (4) 12 V, 1920 CCA, maintenance free
- Boom kickout, uppermost position
- Boom welded type, box-section structure, "A" shape frame, length 7315 mm (24')
- Brakes, wet multiple disc, closed type, spring applied, hydraulically released
- Brake, hook lowering, auxiliary
- Bumper, front
- Cab with sound suppression, air recirculation system, Lights: 2F and 1 side (LH), 4 wipers w/washers, inside mirror, dome light, roof window and emergency hatch (approved according to FOPS – SAE J231)
- Coolant filter conditioner
- Cooling module; includes radiator, transmission oil cooler, hydraulic oil cooler, charge air cooler; isolation mounted
- Counterweights, adjustable, hydraulically controlled 4 blocks and 2 counterweight frames
- Decelerator – right foot pedal and brake – center foot pedal
- Diagnostic center for power train pressures
- Drawbar, fixed
- Ecological drains for engine oil, radiator coolant and hydraulic oil
- Emergency hook lowering system
- Engine side doors, perforated type, hinged
- Engine hood, solid, sloped
- Exhaust pipe extension
- Fan, hydraulically controlled
- Filters, oil, spin-on type
- Filters, drive train system, hydraulic system, fuel system
- Final drive seal guard
- Guards: crankcase – hinged with front pull hook, fan, transmission
- Horn, electric
- Instruments:
  - Gauges: fuel level, engine coolant temp., engine oil pressure, torque converter oil temp., voltmeter, hourmeter, brake lock, emergency hook lowering, joystick control display
  - Warning lights: air cleaner filter, transmission oil filter, hydraulic oil filter, transmission/clutch oil low pressure, counterweights extended, hook top limit position, boom top limit position
  - Audible & visual warning system: low engine coolant level, low engine oil pressure, coolant high temperature, hydraulic oil high temperature
- Light, boom
- Lights w/guards, 2F–2R, tractor mounted
- Load capacity indicator, mechanical, on boom frame
- Muffler, under engine hood, insulated
- Radiator guard doors, louvered, two-piece, hinged
- Rear access platform
- Receptacle, starting/charging
- Seat belt (SAE J386) – 3" wide, retractable
- Seat, deluxe, air suspension type, fabric cover, adjustable with arm rests
- Starting aid – air grid heater
- Starting, 24 V
- Steering, planetary type, 2 speed, left hand single lever control (joystick)
- Strainers, fuel and hydraulic tanks
- Tools compartment
- Torque converter, single stage
- Track adjusters, hydraulic
- Track chain guides, integral
- Track chain sealed and lubricated (LTS) with split master link, 41 links
- Track frames, 8 roller, 2340 mm (92") gauge, non-oscillating type, lifespan lubricated rollers and idlers
- Track shoes 762 mm (30")
- Transmission, power shift, 3 speeds forward, 3 reverse combined with 2 speed steering provides, 6 speeds forward, 6 reverse
- Water separator, fuel system
- Winch transmission (two separate winches for hook and boom with hydrostatic drive system and planetary transmission)

### OPTIONAL ATTACHMENTS

- Air conditioner/heater/pressurizer/defroster
- AM/FM CD radio
- Heater/pressurizer/defroster
- Lights 2R, cab mounted
- Light, winch, cab mounted (RH)
- Mirrors, 2 pcs. exterior
- ROPS, 2 post (SAE J1040), for standard Cab. Must be ordered to meet CE requirement
- Starting/charging receptacle plug assembly with cable
- Tools in metal box
- Track roller guards
- Track shoes 860 mm (34")
- Vandalism protection
- Working attachments:
  - boom, welded type, box-section structure, "A" shape frame, length 9000 mm (29'6")
  - boom, length 7315 mm (24'), for use with load limit indicator
  - boom, length 9000 mm (29'6"), for use with load limit indicator
  - load limit indicator, Tensotronic
  - hook pulley block limit switch, uppermost position
  - load capacity indicator, mechanical, for 9000 mm (29'6") boom
  - rubber protection strips, bolted, for use with 7315 mm (24') boom
  - rubber protection strips, bolted, for use with 9000 mm (29'6") boom

Specifications subject to change without notice. Illustrations and pictures may include optional equipment and may not include all standard equipment.

# DRESSTA Co.Ltd.

Kwiatkowskiego 1, 37-450 Stalowa Wola, POLAND  
 tel.: +48 15 813 5252, 15 813 4556 fax: +48 15 844 4763  
 sales@dressta.com.pl www.dressta.com.pl