



# TD-15R

CRAWLER DOZER

STD-LT-WT-LGP



■ **Net Horsepower**  
150 kW (201 hp)

■ **Blade Capacity**  
up to 5.95 m<sup>3</sup> (7.8 yd<sup>3</sup>)

■ **Operating Weight**  
20660 kg (45,547 lb) STD  
20810 kg (45,878 lb) LT  
21315 kg (46,991 lb) WT  
21620 kg (47,663 lb) LGP

# Specification

## ENGINE

\* Make and Model ..... Cummins QSB6.7  
 Type ..... diesel, in-line, 4-cycle, water-cooled, 6-cylinder,  
 Electronic controls (ECM), Diesel Particulate Filter (DPF)  
 Aspiration ..... Turbocharged and Charge Air Cooler (CAC)  
 Fuel system ..... High Pressure Common Rail (HPCR)  
 Gross Horsepower, SAE J1995 ..... 164 kW (220 hp)  
 Net Horsepower, SAE J1349/ISO 9249 ..... 150 kW (201 hp)  
 Rated rpm ..... 2000 rpm  
 Max. torque @ 1500 rpm ..... 949 Nm (700 ft-lb)  
 Displacement ..... 6.7 l (408 in<sup>3</sup>)  
 Bore and Stroke ..... 107 x 124 mm (4.21" x 4.88")  
 Air cleaner ..... Cummins Filtration Direct Flow™,  
 dry type, precleaner, dust ejector system,  
 exhaust aspiration, electronic service indicator

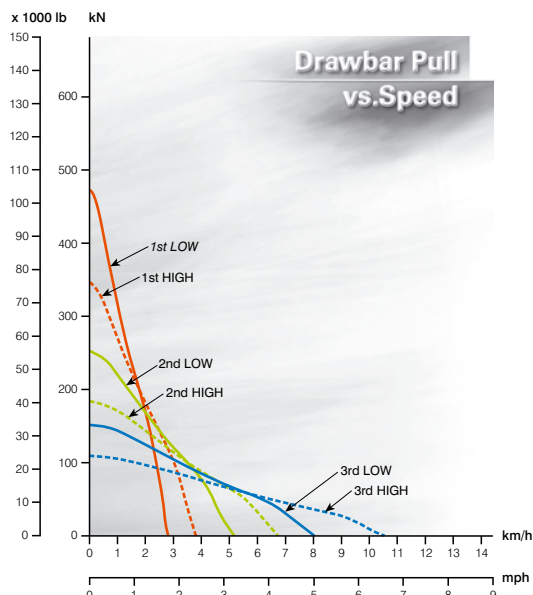
\* Meets EU Stage IIIB and US EPA Tier 4 Interim emission standards  
 The engine requires to use – Ultra Low Sulfur Diesel (ULSD) fuel

## TRANSMISSION & TORQUE CONVERTER

Modular, countershaft type power shift, electro-hydraulic control.  
 Preset travel speed selection and auto-downshift.  
 Single stage 370 mm (14.6") torque converter with a 2.6:1 stall  
 ratio drives to transmission through a double universal joint.

## TRAVEL SPEEDS

Gear	Range	Forward		Reverse	
		km/h	(mph)	km/h	(mph)
1 st	Low	2.8	(1.7)	3.3	(2.1)
	High	3.8	(2.4)	4.5	(2.8)
2 nd	Low	5.0	(3.1)	6.0	(3.7)
	High	6.7	(4.2)	8.0	(5.0)
3 rd	Low	8.0	(5.0)	9.3	(5.8)
	High	10.5	(6.5)	12.3	(7.6)



## STEERING & BRAKING

Two speed geared steering module provides gradual turns while maintaining full power to both tracks plus conventional clutch-brake performance for tight or pivot turns. This type of steering system offers superior traction in all types of operations and terrain. Coupled to 3-speed transmission, the 2-speed steering provides 6 speeds forward and 6 reverse. The left hand joystick controls transmission and steering drive for up and down shifting, steering, Hi/Lo selection and LH/RH gradual and full turn. Foot pedal applies both brakes for parking and downhill control. Brakes are spring applied and hydraulically released.

## FINAL DRIVES

Double-reduction module provides desired gear reduction at the sprocket. Ring-type sprocket distributes wear evenly over track bushings, letting every tooth ride free one-half of the time to reduce wear. Final drives or sprockets are replaceable without removing track frames.

## TRACK FRAME

All-welded heavy box section track frame is kept in alignment with track frame guides providing true vertical oscillation.  
 Track rollers, each side STD (LT, WT, LGP) ..... 6 (8)  
 Top idlers, each side ..... 2  
 Front idlers (drum type) ..... 1  
 All rollers and idlers ..... lifespan lubricated  
 Oscillation at center of front idler (STD) ..... 277 mm (11")  
 Oscillation at center of front idler (LT, WT, LGP) ..... 332 mm (13")

## TRACKS

Lubricated Track System (LTS) virtually eliminates internal pin and bushing wear through use of a patented seal assembly. The split master link reduces chain removal and installation time.

	STD	LT	WT	LGP
Track shoe width, standard	508 mm (20")	508 mm (20")	762 mm (30")	940 mm (37")
Track shoes, each side	39	43	43	43
Ground contact area	2.7 m <sup>2</sup> (4,160 in <sup>2</sup> )	3.1 m <sup>2</sup> (4,800 in <sup>2</sup> )	4.6 m <sup>2</sup> (7,200 in <sup>2</sup> )	5.7 m <sup>2</sup> (8,880 in <sup>2</sup> )
Ground pressure (w/std. equipment)	75.0 kPa (10.9 psi)	65.8 kPa (9.5 psi)	45.4 kPa (6.6 psi)	37.2 kPa (5.4 psi)
Height of grouser	64 mm (2.52")			
Ground clearance	445 mm (17.5")			

## REFILL CAPACITIES

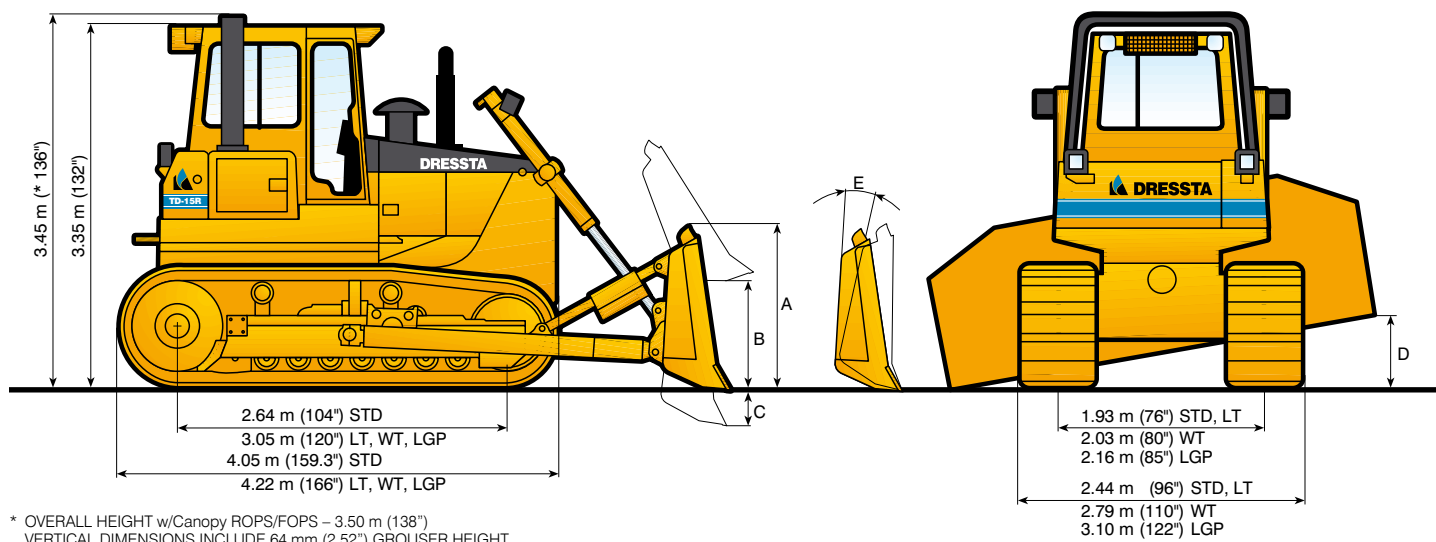
	Liter	(US gal)
Fuel tank	388	(102.5)
Cooling system	27	(7.1)
Crankcase w/filters	18.5	(4.9)
Transmission system	153	(40.4)
Differential & final drive, each	40	(10.6)
Hydraulic reservoir	60	(16)

## OPERATING WEIGHT

Includes standard equipment with blade and full fuel.

	STD	LT	WT	LGP
Type of blade	Semi-U	Semi-U	Semi-U	Straight
Cab ROPS	20660 kg (45,547 lb)	20810 kg (45,878 lb)	21315 kg (46,991 lb)	21620 kg (47,663 lb)
Canopy ROPS	20350 kg (44,864 lb)	20500 kg (45,194 lb)	21005 kg (46,308 lb)	21310 kg (46,980 lb)





## OVERALL DIMENSIONS WITH EQUIPMENT

	UNDRRCARRIAGE	BLADE SELECTION					
		SEMI-U	ANGLE	6-WAY	SEMI-U	6-WAY	STRAIGHT
Length with blade, and drawbar	STD	5.23 m (17'2")	5.39 m (17'8")	—	—	—	—
	LT	5.67 m (18'7")	5.83 m (19'2")	—	—	—	—
	WT	—	—	5.87 m (19'3")	5.67 m (18'7")	—	—
	LGP	—	—	—	—	5.87 m (19'3")	5.52 m (18'1")
Length with blade, and multi-shank ripper	STD	6.48 m (21'3")	6.55 m (21'6")	—	—	—	—
	LT	6.91 m (22'8")	6.99 m (22'11")	—	—	—	—
	WT	—	—	7.03 m (23'1")	6.94 m (22'9")	—	—
Length with blade and single-shank ripper	STD	6.25 m (20'6")	6.40 m (21')	—	—	—	—
	LT	6.76 m (22'2")	6.84 m (22'5")	—	—	—	—
	WT	—	—	6.88 m (22'7")	6.79 m (22'3")	—	—
Width, blade angled	STD&LT	—	3.75 m (12'4")	—	—	—	—
	WT	—	—	3.33 m (10'11")	—	—	—
	LGP	—	—	—	—	3.51 m (11'6")	—
Width over trunnions	STD&LT	2.81 m (9'3")	2.81 m (9'3")	—	—	—	—
	WT	—	—	—	2.91 m (9'7")	—	—
	LGP	—	—	—	—	—	3.34 m (10'11")
Width over „C“ frame	STD&LT	—	3.82 m (12'6")	—	—	—	—

## BLADE SPECIFICATIONS

UNDERCARRIAGE	STD&LT	STD&LT	WT	WT	LGP	LGP
BLADE SELECTION	SEMI-U	ANGLE	6-WAY	SEMI-U	6-WAY	STRAIGHT
Track shoes	20"/22"/24"/26"	20"/22"/24"/26"	20" or 22"	30"/26"/24"/22"/20"	26"	37"
Blade capacity, SAE J1265	5.7 m <sup>3</sup> (7.45 yd <sup>3</sup> )	3.8 m <sup>3</sup> (5 yd <sup>3</sup> )	3.8 m <sup>3</sup> (5 yd <sup>3</sup> )	5.95 m <sup>3</sup> (7.8 yd <sup>3</sup> )	4.0 m <sup>3</sup> (5.2 yd <sup>3</sup> )	3.6 m <sup>3</sup> (4.7 yd <sup>3</sup> )
Blade dimensions: – width over end bits – height	3.44 m (135")	4.13 m (163")	3.68 m (145")	3.59 m (141")	3.83 m (151")	3.86 m (152")
	A 1.46 m (58")	1.12 m (44")	1.36 m (53.5")	1.46 m (58")	1.36 m (53.5")	1.10 m (43")
Max. lift, straight	B STD 1104 mm (43.5") LT 1102 mm (43.4")	STD 1102 mm (43.4") LT 1119 mm (44")	1280 mm (50.4")	1102 mm (43.4")	1280 mm (50.4")	1240 mm (49")
Max. drop below ground level	C 463 mm (18.2")	STD 552 mm (21.7") LT 542 mm (21.3")	692 mm (27")	463 mm (18.2")	692 mm (27")	455 mm (18")
Max. tilt adjustment	D 724 mm (28.5")	385 mm (15.2")	450 mm (18")	782 mm (30.8")	466 mm (18.3")	698 mm (27.5")
Blade angle, either side	—	25°	23.5°	—	23.5°	—
Max. pitch adjustment	E 9°	—	8°	9°	8°	9°
Weight of blade equipment	2670 kg (5,886 lb)	2700 kg (5,952 lb)	2575 kg (5,677 lb)	2760 kg (6,085 lb)	2625 kg (5,787 lb)	2740 kg (6,040 lb)

## RIPPER SPECIFICATION

RIPPER SELECTION	MULTI-SHANK	SINGLE-SHANK
Tool Beam		
Overall width	2230 mm (88")	1100 mm (43")
Cross section (height x width)	229 x 254 mm (9" x 10")	269 x 284 mm (10.6" x 11.2")
Ground clearance under tool beam: – ripper raised – ripper lowered	1023 mm (40.3")	995 mm (39")
	108 mm (4.3")	80 mm (3")
Shanks		
Number of shanks per ripper, max.	3	1
Spacing center to center	1015 mm (40")	—
Penetration, max.	600 mm (24")	713 mm (28")
Ground clearance, max. raised	455 mm (17.9")	485 mm (19")
Shank positions (vertical)	2	2
Weight		
Complete, including one shank	1554.5 kg (3,427 lb)	1546 kg (3,408 lb)
Each additional shank	94.5 kg (208 lb)	—
Penetration Force	64 kN (14,387 lb)	71.04 kN (15,970 lb)
Pryout Force	268.7 kN (60,404 lb)	390.9 kN (87,874 lb)

# TD-15R

## CRAWLER DOZER

### STD-LT-WT-LGP



## HYDRAULIC CONTROL SYSTEM

Pump, tandem gear, driven from torque converter.		Cylinders, bore and stroke:	
Output @ rated engine rpm		lift (STD)	101.6 x 1233.5 mm (4" x 48.6")
Equipment pump	164 l/min (43.3 gpm)	lift (LT, WT, LGP)	101.6 x 1095 mm (4" x 43.1")
Pilot pump	40 l/min (10.6 gpm)	tilt	139.7 x 147 mm (5.5" x 5.8")
Relief valve setting	17.2 MPa (2,500 psi)	tilt/pitch	139.7/152.4 x 147 mm (5.5"/6" x 5.8")

## STANDARD EQUIPMENT

<ul style="list-style-type: none"> <li>Air cleaner, Cummins Filtration Direct Flow™, dry type, precleaner, dust ejector system, exhaust aspiration, electronic service indicator</li> <li>Alarm, back-up</li> <li>Alternator, 70 A</li> <li>Antifreeze, -37°C (-34°F)</li> <li>Batteries, (2) 12 V, 960 CCA, cold start, maintenance free</li> <li>Brakes, foot, spring applied, hydraulically released</li> <li>Cab and ROPS Equipment: <ul style="list-style-type: none"> <li>Air conditioner/heater/pressurizer/defroster, underseat mounted; A/C condenser behind roof</li> <li>Cab w/sound suppression, 4 wipers w/washers, inside mirror, dome light, tinted safety glass and air recirculation system</li> <li>2-post ROPS for cab or forestry attachment</li> <li>Seat belt (SAE J386) – 3" wide, retractable</li> <li>Seat, deluxe, air suspension type, fabric cover, adjustable with arm rests, swivel 14° to right</li> <li>Sun visor, front cab window</li> </ul> </li> <li>Coolant filter conditioner</li> <li>Cooling module; includes radiator, transmission oil cooler, charge air cooler; isolation mounted</li> <li>Decelerator – right foot pedal and brake – center foot pedal</li> <li>Diagnostic centers for power train and equipment hydraulic pressures</li> <li>Diesel Particulate Filter with catalyst (DPF)</li> <li>Ecological drains for engine oil, radiator coolant and hydraulic oil</li> <li>Engine hood, solid, sloped</li> <li>Engine side doors, hinged, perforated type</li> <li>Exhaust pipe extension with elbow</li> <li>Fan, blower</li> <li>Filters, engine oil, full flow and by-pass with</li> </ul>	<ul style="list-style-type: none"> <li>replaceable "spin-on" elements</li> <li>Filters, power train, equipment hydraulics, fuel</li> <li>Final drive seal guard</li> <li>Guards: crankcase, hinged, with front pull hook, transmission, fan, radiator, sprocket rock and dirt deflector</li> <li>Hitch, retrieval</li> <li>Horn, electric</li> <li>Hydraulic controls, pilot operated, 3-spool valve, 3 rd section plugged, 1 lever (lift/tilt)</li> <li>Instruments: <ul style="list-style-type: none"> <li>Engine ECM failure warning lights and switches</li> <li>Gear, range, drive train and engine diagnostic display</li> <li>Gauges: fuel level, engine coolant temperature, engine oil pressure, drive train system oil temperature, voltmeter, hourmeter, tachometer</li> <li>Warning lights: air cleaner filter, drive train oil filters, hydraulic oil filters, transmission/clutch oil low pressure, coolant high temperature, drive train oil high temperature, fan drive oil filter, engine inlet air heater</li> <li>Audible &amp; visual warning system: low engine coolant level, low engine oil pressure</li> </ul> </li> <li>Lights with guards, 2F – lift cylinders, 2R – fuel tank mounted</li> <li>Lights for cab, 2F–2R</li> <li>Radiator guard door, hinged, louvered</li> <li>Rear access platform</li> <li>Receptacle, starting/charging</li> <li>Starting, 24 V</li> <li>Starting aid – air grid heater</li> <li>Steering, planetary type, 2 speed, left hand single lever control (joystick)</li> <li>Strainers, fuel and hydraulic tanks</li> <li>Tools compartment</li> </ul>	<ul style="list-style-type: none"> <li>Torque converter, single stage</li> <li>Transmission power shift, 3 speeds forward, 3 reverse, preset travel speed selection and auto-downshift</li> <li>Water separator, fuel system</li> <li>UNDERCARRIAGE <ul style="list-style-type: none"> <li>Track frames, oscillating type, lifespan lubricated rollers and idlers</li> <li>Track adjusters, hydraulic</li> <li>Track chain end guides, integral</li> </ul> </li> <li>– STANDARD (STD) <ul style="list-style-type: none"> <li>Track chain, sealed and lubricated (LTS) with split master link, 39 links</li> <li>Track frame, 6 roller, 1930 mm (76") gauge</li> <li>Track shoes, 508 mm (20") severe service</li> </ul> </li> <li>– LONG TRACK (LT) <ul style="list-style-type: none"> <li>Track chain, sealed and lubricated (LTS) with split master link, 43 links</li> <li>Track frame, 8 roller, 1930 mm (76") gauge</li> <li>Track shoes, 508 mm (20") severe service</li> <li>Track chain center guides</li> </ul> </li> <li>– WIDE TRACK (WT) <ul style="list-style-type: none"> <li>Track chain, sealed and lubricated (LTS) with split master link, 43 links</li> <li>Track frame, 8 roller, 2030 mm (80") gauge</li> <li>Track shoes, 762 mm (30") severe service</li> <li>Track chain center guides</li> </ul> </li> <li>– LOW GROUND PRESSURE (LGP) <ul style="list-style-type: none"> <li>Track chain, sealed and lubricated (LTS) with split master link, 43 links</li> <li>Track frame, 8 roller, 2160 mm (85") gauge</li> <li>Track shoes, 940 mm (37") extreme clipped corner with bolt holes for 3 rd rail track</li> <li>Track chain center guides</li> </ul> </li> </ul>
--	--	--

## OPTIONAL ATTACHMENTS

<ul style="list-style-type: none"> <li>AM/FM CD radio</li> <li>Blade Equipment (STD &amp; LT): <ul style="list-style-type: none"> <li>Semi-U Dozer, 5.7 cu.m (7.45 cu.yd) with hydraulic tilt or hydraulic tilt/pitch</li> <li>Angle Dozer (manual angle), 3.8 cu.m (5 cu.yd), hydraulic tilt</li> </ul> </li> <li>Blade Equipment (WT): <ul style="list-style-type: none"> <li>Semi-U Dozer, 5.95 cu. m (7.8 cu. yd) with hydraulic tilt or hydraulic tilt/pitch</li> <li>Angle Dozer (6-way), 3.8 cu. m (5 cu. yd) full hydraulic, inside arm with hydraulic tilt, angle and manual pitch</li> </ul> </li> <li>Blade Equipment (LGP): <ul style="list-style-type: none"> <li>Straight Dozer, 3.6 cu.m (4.7 cu.yd) with hydraulic tilt</li> <li>Angle Dozer (6-way), 4.0 cu.m (5.2 cu.yd) full hydraulic</li> </ul> </li> <li>Canopy, 2 post ROPS/FOPS (SAE J1040, J231)</li> <li>Drawbar, fixed</li> <li>Engine enclosures: perforated hood and perforated side doors</li> <li>Exhaust pipe extension w/guard, for sweeps</li> <li>Guards: <ul style="list-style-type: none"> <li>Crankcase, severe service w/front pull hook</li> <li>Final drive, rock (STD, LT, WT)</li> </ul> </li> </ul>	<ul style="list-style-type: none"> <li>Tank guard, bolted (includes deduct for rear access platform)</li> <li>Track roller, full length</li> <li>Transmission, severe service</li> <li>Hydraulic controls, pilot operated: <ul style="list-style-type: none"> <li>3-spool valve (3 rd section plugged), 1 lever (for use with 6-way or tilt/tilt-pitch)</li> <li>3-spool valve, 2 lever (for use w/ripper and tilt/tilt-pitch or 6-way)</li> </ul> </li> <li>Heater /pressurizer/ defroster</li> <li>Inspection lamp, 24 V, portable with 6 m (20') cable</li> <li>Instrument panel guard (for use w/Canopy ROPS/FOPS)</li> <li>Lights for Canopy ROPS/FOPS, 2F–2R</li> <li>Lights for cab and sweeps, 2F–2R</li> <li>Lights, 2F, ROPS mounted, for use with cab (not for use with sweeps)</li> <li>Mirrors, 2 pcs. exterior (for use w/cab)</li> <li>Ripper, multi-shank, max. 3 shanks</li> <li>Ripper, single-shank</li> <li>Screen rear (includes deduct for standard rear access platform)</li> <li>Screening package, cab for screens installation must be ordered:</li> </ul>	<ul style="list-style-type: none"> <li>Screens for cab windows (front, rear, side and doors)</li> <li>Screens for tractor and cab lights</li> <li>Seat, air suspension, vinyl cover (for use w/canopy ROPS)</li> <li>Sound suppression package (CE requirements)</li> <li>Starting/charging receptacle plug assembly with 4.6 m (15') cable</li> <li>Sun visor for side door windows</li> <li>Sweeps, forestry, front and rear</li> <li>Third rail track system (LGP)</li> <li>Tools in metal box</li> <li>Track shoes, set of 78, severe service (STD) 560 mm (22"), 610 mm (24"), 660 mm (26")</li> <li>Track shoes, set of 86, severe service (LT) 560 mm (22"), 610 mm (24"), 660 mm (26")</li> <li>Track shoes, set of 86, severe service (WT) 508 mm (20"), 560 mm (22"), 610 mm (24"), 660 mm (26"), not for use with Angle Dozer (6-way)</li> <li>Track shoes, set of 86, severe service (LGP) 660 mm (26"), for use with Angle Dozer (6-way)</li> <li>Vandalism protection</li> </ul>
---	--	--

Specifications subject to change without notice. Illustrations and pictures may include optional attachments and accessories and may not include all standard equipment.

# DRESSTA

Kwiatkowskiego 1, 37-450 Stalowa Wola, POLAND  
tel.: +48 15 813 5252, 15 813 4556 fax: +48 15 813 4763  
sales@dressta.com.pl www.dressta.com.pl