

DIECI
UNITED STATES



Dieci United States
40851 Route 6 - Wyalusing, PA
18853
844-257-7903 Toll free
www.diecious.com

ICARUS



40.14

40.17

PERFORMANCE	40.14	40.17
Maximum capacity lb(kg)	8486(3849)	8492(3852)
Maximum lifting height ft(m)	44.3(13.5)	55.5(16.9)
Maximum horizontal outreach ft(m)	30.8(9.4)	41.3(12.8)
Outreach at maximum height ft(m)	3.9(1.2)	4.1(1.25)
Fork swivelling angle	134°	134°
Pull-out force lbf(daN)	12814.2(5700)	12814.2(5700)
Towing force lbf(daN)	16411.1(7300)	16411.1(7300)
Maximum climb angle	40%	40%
Total weight when empty lb(kg)	24030(10900)	27029(12260)
Max speed mph(km/h) *	22(35)	22(35)

* = referred to wheels with maximum admitted diameter

BOOM	40.14	40.17
Times: empty (in seconds)		
Lifting	12.3	14.1
Descent	8.4	10.2
Extension	21.4	21.4
Retraction	15.6	14.1
Forward swivelling	3.3	3.3
Reverse swivelling	2.1	2.1

Patented compensation system

ENGINE	
Model:	Kubota
Maximum power HP:	114
Revolutions per minute (rpm):	2600
Operation:	4-stroke diesel
Injection:	Electronic direct, Common Rail
Number and arrangement of cylinders:	4, vertical in line
Displacement in ³ (cm ³):	230(3769)
Specific consumption lb/Btu(g/kWh) @ rpm:	1466.4(227) @ 2600
	Aftercooler turbo compressor
* at maximum power	Liquid cooling system

HYDRAULIC PLANT	
Gear pump with max speed capacity USA gal/1'(l/1'):	44.91(170)
Max operating pressure psi(bar):	3626(250)
Distributor control with joystick:	4 in 1

DIFFERENTIAL AXLES	
Steering axles: 2, with planetary reduction gears	
Steering types: 4 wheels / transversal / 2 wheels	
Front axle: rigid (levelling upon request)	
Back axle: oscillating	
Oil bath service braking on the 4 wheels with double hydraulic plant and servo brake	
Negative action parking brake	

REFUELLING	
Hydraulic system (total) USA gal(l)	45.9(174)
Diesel tank USA gal(l)	27.7(105)

OPTIONALS AND ACCESSORIES	
A/C; Water Heater; Driver's seat with pneumatic suspension; Light on boom head;	
Quick coupling for accessories; Radio; Anti-theft system; Glass protection. Led work lights.	
(For additional customizations, contact the area dealer)	

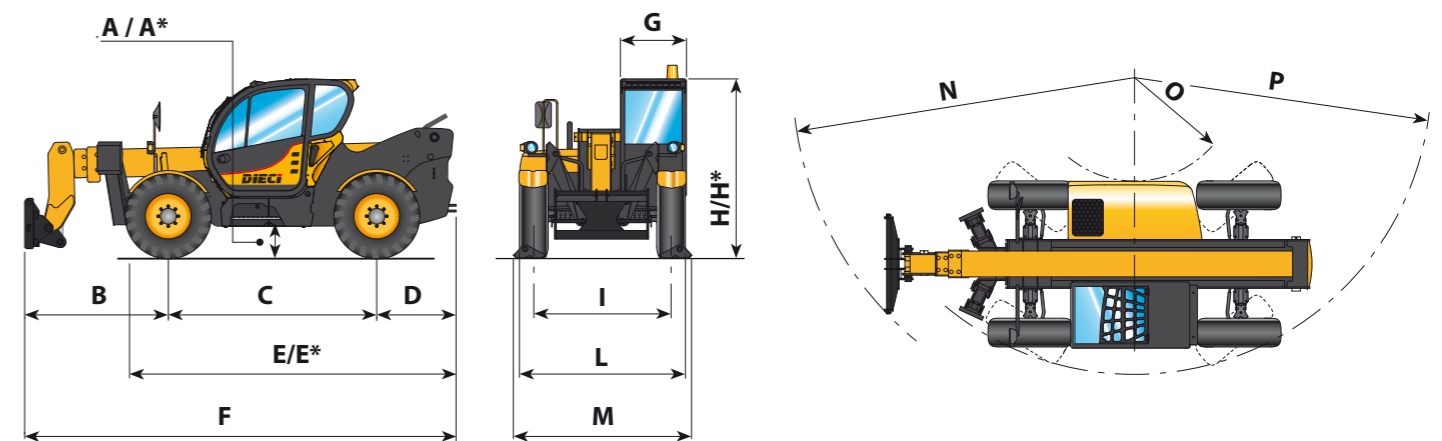
TRANSMISSION	
Hydrostatic transmission with variable displacement pump.	
Hydrostatic engine with automatic variation.	
Electrical - hydraulic inversion.	
Inching pedal for controlled advancement.	
Servocontrolled 2-speed gearbox.	

DEVICES AS PER STANDARD	
Anti-tipping device with pejorative movement block.	
Independent hydraulic tipping outriggers.	
Hydraulic socket for any accessories on the boom head.	
Soundproof closed cab, ROPS-FOPS approved, with heater.	
Self-blocking front axle differential (limited slip 45%).	
Electric window winder. Digital speedometer.	

TYRES	40.14	40.17
Tyres	405/70x20"	405/70x24"
Alternative	405/70x24"	18-22.5"
Alternative	-	18R22.5"

DIMENSIONS	40.14	40.17
A/A*	15(390)/17(440)*	17(440)
B	75(1900)	78(1970)
C	116(2950)	116(2950)
D	56(1415)	56(1415)
E/E*	193(4905)/195(4955)*	195(4955)
F	246(6245)	248(6295)
G	37(940)	37(940)
H/H*	98(2500)/101(2555)*	101(2555)
I	77(1950)	77(1950)
L	93(2360)	93(2360)
M	129(3270)	129(3270)
N	193(4900)	193(4900)
O	67(1700)	67(1700)
P	173(4400)	173(4400)

Measurements expressed in: in(mm) A* - E* - H* = Measurements referring to optional wheels



A* - E* - H* = Measurements referring to optional wheels

