

ROUGH TERRAIN SCISSOR LIFTS



HS3388 RT XL

Outstanding rough terrain driving features

- Hydraulic differential lock for improved rough terrain capability
- 14 in ground clearance ensures exceptional rough terrain performance
- 4 wheel drive

Excellent maneuverability

- Tight turning radius
- Proportional controls for extremely smooth movements



Haulotte 
GROUP

More than lifting

www.haulotte-usa.com

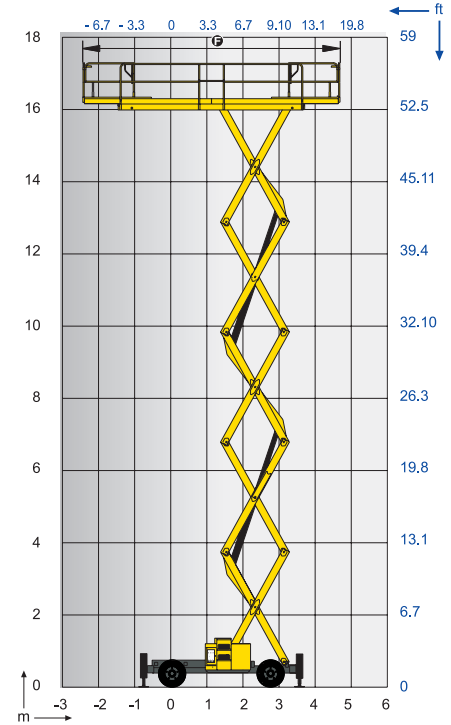
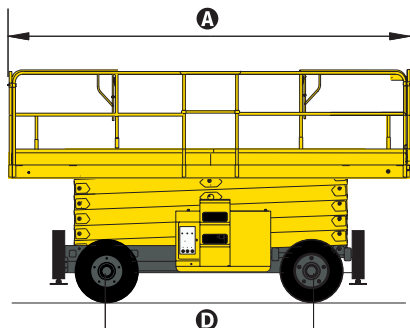
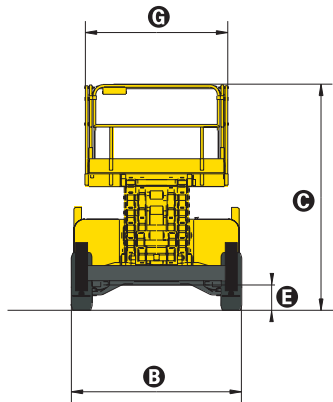


HS3388 RT XL

ROUGH TERRAIN SCISSOR LIFTS

TECHNICAL DATA

Working height	39 ft 4 in
Platform height	32 ft 10 in
Drive speed	0.4 - 3.7 mph
Driveable at full height	9 ft 10 in
Lift capacity	1544 lbs
Length	17 ft 5 in
B Width	7 ft 5 in
C Height - stowed	8 ft 6 in
Storage height	5 ft 7 in
Platform length	17 ft 5 in
A Extended platform length	23 ft 11 in
Platform extension length	3 ft 3 in
G Platform width	6 ft 2 in
D Wheelbase	9 ft
E Ground clearance	14 in
Number of extensions	2
Turning radius - outside	16 ft 3 in
Lift / lower speed	43 s / 65 s
Engine	23.1 kW - 31.4 hp
Gradeability	45 %
Tires	10-16.5
Hydraulic tank capacity	26 gal
Weight	12,370



STANDARD EQUIPMENT

- 4 wheel drive (2 wheel steer)
- 2° tilt alarm
- Load management system in the platform
- 12V - 95Ah batteries
- 14V - 50A alternator
- Removable operator's control box
- Free wheeling device
- Hourmeter
- Horn
- Towing hooks
- Hydraulic brakes
- Manual emergency lowering system
- Automatic leveling outrigger

OPTIONS AND ACCESSORIES

- Flashing beacon
- Travel alarm
- Power to the platform
- Working light
- Encoded starting device
- Biodegradable hydraulic oil
- Motion alarm for movements and travel
- Non-marking tires
- Warm environment package
- 3kW generator