



HS3388 RT
HS4388 RT
HS5388 RT

Exceptional rough terrain capability

- Hydraulic differential lock for improved rough terrain capability
- 14 in ground clearance ensures exceptional rough terrain performance
- 4 wheel drive

Excellent maneuverability

- Tight turning radius
- Proportional controls for smooth movements





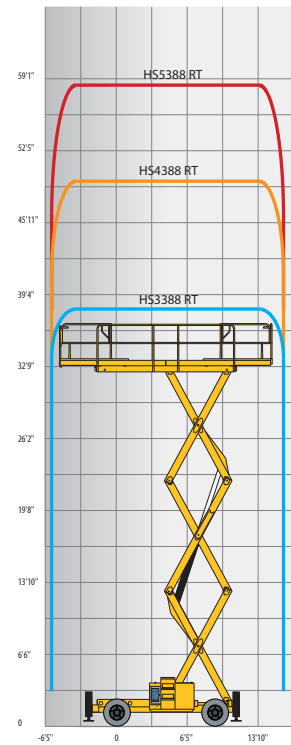
HS3388 RT / HS4388 RT / HS5388 RT

ROUGH TERRAIN SCISSOR LIFTS

TECHNICAL DATA

HS3388 RT HS4388 RT HS5388 RT

Working height	38 ft 10 in	48 ft 8 in	59 ft 1 in
Platform height	32 ft 10 in	42 ft 8 in	52 ft 6 in
Drive speed	1 - 3.6 mph	1 - 3.6 mph	1 - 3.6 mph
Driveable at full height	32 ft 10 in	32 ft 10 in	32 ft 10 in
Lift capacity	1544 lbs	1103 lbs	1103 lbs
H Length	13 ft 9 in	13 ft 9 in	13 ft 9 in
B Width	7 ft 5 in	7 ft 5 in	7 ft 5 in
C Height - stowed	8 ft 6 in	9 ft 1 in	9 ft 10 in
Storage height	5 ft 7 in	6 ft 3 in	6 ft 11 in
G Platform length	12 ft 10 in	13 ft 1 in	13 ft 1 in
A Extended platform length	19 ft 8 in	19 ft 8 in	19 ft 8 in
Platform extension length	3 ft 3 in	3 ft 3 in	3 ft 3 in
F Platform width	6 ft 2 in	6 ft 2 in	6 ft 2 in
D Wheelbase	9 ft	9 ft	9 ft
E Ground clearance	14 in	14 in	14 in
Number of extensions	2	2	2
Turning radius - outside	16 ft 3 in	16 ft 3 in	16 ft 3 in
Lift / lower speed	43 s / 65 s	46 s / 57 s	60 s / 60 s
Engine	23.1 kW - 31.4 hp	23.1 kW - 31.4 hp	23.1 kW - 31.4 hp
Gradeability	45 %	45 %	45 %
Tires	10-16.5	10-16.5	10-16.5
Hydraulic tank capacity	26 gal	26 gal	26 gal
Weight	11,995 lbs	13,892 lbs	15,964 lbs

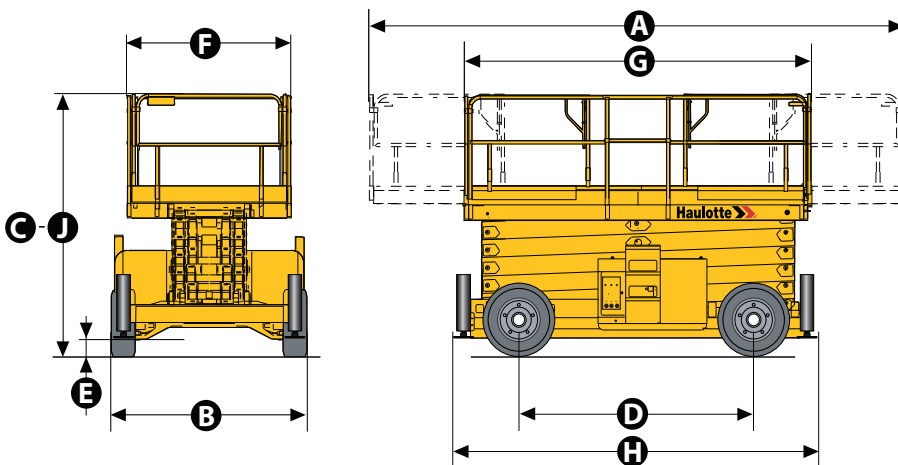


STANDARD EQUIPMENT

- 4 wheel drive (2 front steering wheels)
- 5° tilt alarm
- 3 ft 3 in double extension
- Load management system in the platform
- 12 V - 95 Amph batteries
- 14 V - 50 A alternator
- Removable operator's control box
- Free wheeling device
- Hour meter
- Electronic horn
- Towing and lifting hooks
- Hydraulic brakes
- Centralized stabilizer (HS 5388 RT)
- Manual emergency lowering system

OPTIONS AND ACCESSORIES

- Flashing beacon
- Motion alarm (travel and elevate)
- Power to the platform
- 70 W platform working light
- Arctic package
- Biodegradable hydraulic oil
- Motion alarm for movements and travel
- Non-marking tires
- Warm environment package
- Centralized outrigger control with automatic leveling (Standard on H18SX0)



2420602730 - Non-contractual document - We reserve the right to modify the technical characteristics of this document without notice - 01/2016