

DIECI

UNITED STATES



Dieci United States
40851 Route 6 - Wyalusing, PA
18853
844-257-7903 Toll free

www.diecious.com

SAMSON



PERFORMANCE	45.8	60.9	60.9 VS	65.8	65.8 VS	75.10
Maximum capacity on outriggers lb(kg)	-	-	-	-	-	16530(7500)
Maximum capacity on tires lb(kg)	9486(4303)	13220(6000)	13228(6000)	14330(6500)	14330(6500)	15870(7200)
Maximum lifting height ft(m)	25.9(7.9)	28.2(8.6)	28.2(8.6)	25.26(7.7)	25.26(7.7)	31.65(9.65)
Maximum horizontal outreach ft(m)	14.9(4.55)	16.1(5)	16.1(5)	13.78(4.3)	13.78(4.3)	17.71(5.5)
Outreach at maximum height ft(m)	1.3(0.4)	1.8(0.55)	1.8(0.55)	2.3(0.7)	2.3(0.7)	2.6(0.8)
Fork swivelling angle	134°	144°	144°	144°	144°	134°
Pull-out force lbf(daN)	12814.2(5700)	16860.8(7500)	16860.8(7500)	16860.8(7500)	16860.8(7500)	19670.9(8750)
Towing force lbf(daN)	16411.1(7300)	17085.6(7600)	19783.3(8800)	17085.6(7600)	19783.3(8800)	18884(8400)
Maximum climb angle	40%	40%	40%	40%	40%	40%
Total weight empty lb(kg)	19401(8800)	24471(11100)	24471(11100)	24030(10900)	24030(10900)	26676(12100)
Max speed mph(km/h) *	25(40)	25(40)	25(40)	25(40)	25(40)	25(40)

* = refers to wheels with maximum admissible diameter

ENGINE	45.8	60.9 - 60.9 VS	65.8 - 65.8 VS	75.10
Model:	Kubota	FPT	FPT	FPT
Rated power HP @ 2600 rpm:	114	/	/	/
Rated power HP @ 2200 rpm:	/	130	140	140
Peak power HP @ 1900 rpm:	/	141	152	152
Revolutions per minute (rpm):	2600	2200	2200	2200
Operation:	4-stroke diesel			
Injection:	Electronic direct, Common Rail			
Number and arrangement of cylinders:	4, vertical in line			
Engine size in ³ (cm ³):	230(3769)	274.6(4500)		274.6(4500)
Specific consumption - lb/Btu(g/kWh):	1466.4(227)	1343.7(208)		1343.7(208)
Exhaust gas after treatment system:	DPF	SCR		SCR
	Stage 3B / Tier 4i			
	Aftercooler turbo compressor			
	Liquid cooling system			

* at maximum power

BOOM	45.8	60.9	60.9 VS	65.8	65.8 VS	75.10
	Times: empty (in seconds)					
Lifting	13.0	13.4	11.0	12.8	10.5	15.1
Descent	8.9	8.4	6.9	8.0	6.6	9.9
Extension	6.8	7.8	6.4	6.7	5.5	10.4
Retraction	3.8	3.4	2.8	3.0	2.4	4.1
Forward swivelling	3.3	3.5	2.8	3.5	2.8	4.6
Reverse swivelling	2.0	2.3	1.9	2.3	1.9	2.0

Patented compensation system

OPTIONALS AND ACCESSORIES

A/C; Water Heater; Driver's seat with pneumatic suspension; LED light on boom;
Quick coupling for accessories; Radio; Anti-theft system; Glass protection. LED
work lights.

(For additional customisation, contact the area dealer)

TRANSMISSION

Hydrostatic transmission with variable displacement pump.
Hydrostatic engine with automatic variation.
Electrical - hydraulic inversion.
Inching pedal for controlled advancement.
Servocontrolled 2-speed gearbox.

TRANSMISSION (for VS models)

Vario System EVO 2 hydrostatic transmission.
Electro-hydraulic reverse gear control.
Drive Mode: Automotive / Loader / Creeper / Eco.
Electronic inching pedal.

TOWING CAPACITY

	60.9 - 60.9 VS	65.8 - 65.8 VS
Trailer without brakes lb(t):	13220(6)	13220(6)
Inertia braking lb(t):	19840(9)	19840(9)
Mechanical braking lb(t):	13220(6)	13220(6)
Hydraulic/pneumatic braking lb(t):	44090(20)	44090(20)

DEVICES AS PER STANDARD

Anti-tipping device with hazardous movement block.
Hydraulic socket for any accessories on the boom head.
Soundproof closed cab, ROPS-FOPS approved, with heating.
Self-blocking front axle differential (limited slip 45%).
Electric window winder. Colour LCD display. Grid heater. Digital speedometer.

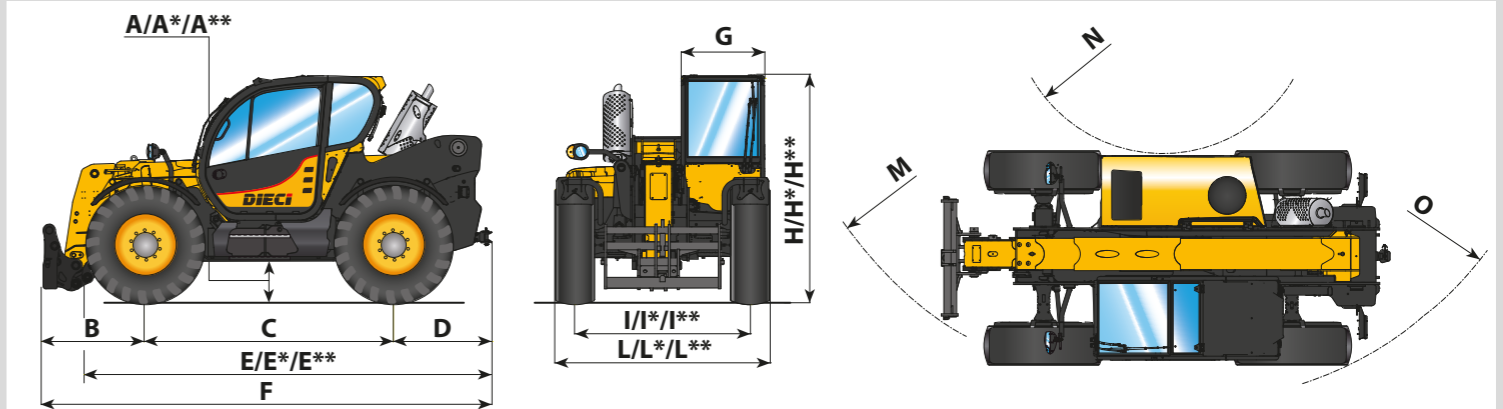
TYRES

	45.8	60.9 - 60.9 VS	65.8 - 65.8 VS	75.10
Tyres	405/70x20"	18-22.5"	18-22.5"	18-22.5"
* Alternative	405/70x24"	17.5-25"	17.5-25"	18R22.5"
** Alternative	18-22.5"	500/70R24"	-	-
** Alternative	18R22.5"	-	-	-

DIMENSIONS	45.8	60.9	60.9 VS	65.8	65.8 VS	75.10
A/A*/A**	17(440)/19(480)*	16(395)/19(470)*/18(445)**		16(395)/19(470)*/18(445)**		17(440)
B	58(1480)	59(1505)		45(1155)		64(1630)
C	102(2600)	110(2800)		110(2800)		116(2950)
D	34(860)	41(1050)		41(1050)		52(1330)
E/E*/E**	157(4000)/159(4050)*	175(4435)/178(4520)*/177(4495)**		175(4435)/178(4520)*/177(4495)**		190(4820)
F	194(4940)	211(5355)		197(5005)		233(5910)
G	37(940)	37(940)		37(940)		37(940)
H/H*/H**	97(2460)/98(2500)*	98(2495)/101(2570)*/100(2545)**		98(2495)/101(2570)*/100(2545)**		98(2490)
I/I*/I**	75(1910)	76(1920)/78(1975)*/77(1950)**		76(1920)/78(1975)*/77(1950)**		76(1920)
L/L*/L**	91(2310)	94(2390)/95(2420)*/96(2450)**		94(2390)/95(2420)*/96(2450)**		94(2380)
M	161(4080)	179(4550)		171(4350)		186(4730)
N	50(1260)	67(1700)		67(1700)		67(1700)
O	154(3920)	173(4400)		173(4400)		173(4400)

Measurements expressed in: in(mm)

(*) - (**) = Measurements referring to optional wheels



A* - E* - H* = Measurements referring to optional wheels

HYDRAULIC SYSTEM	45.8
Gear pump with capacity at max. speed USA gal/1'(l/1')	44.91(170)
Max operational pressure psi(bar):	3480.9(240)
Distributor control with joystick:	4 in 1

HYDRAULIC SYSTEM	60.9 VS - 65.8 VS
Variable delivery pump (Load Sensing) USA gal/1'(l/1')	52.83(200)
Max operational pressure psi(bar):	3626(250)
Distributor control with joystick:	4 in 1

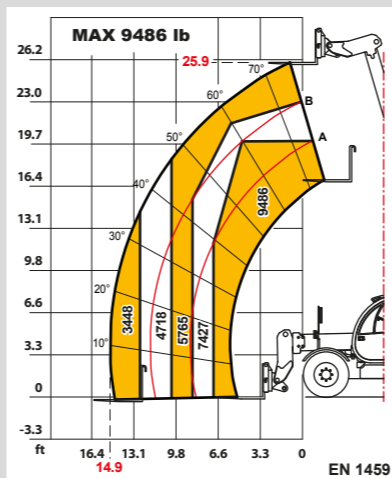
HYDRAULIC SYSTEM	60.9 - 65.8 - 75.10
Gear pump with capacity at max. speed USA gal/1'(l/1')	42.27(160)
Max operational pressure psi(bar):	3626(250)
Distributor control with joystick:	4 in 1

DIFFERENTIAL AXLES

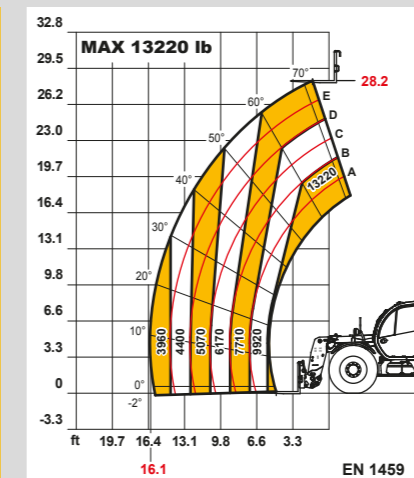
Steering axles: 2, with planetary reduction gears
Steering types: 4-wheel / Transverse / 2-wheel
Front axle: rigid (levelling upon request)
Back axle: oscillating
Oil bath service brake on the 4 wheels with double hydraulic system and servo brake
Negative action parking brake

REFUELLING

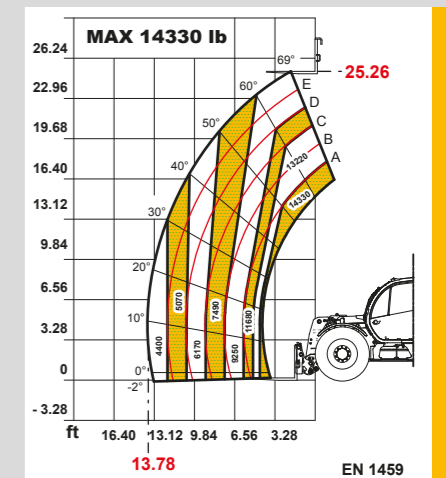
	45.8	60.9 - 60.9 VS	65.8 - 65.8 VS	75.10
Hydraulic system (total) USA gal(l)	40.9(155)	42.2(160)	42.2(160)	42.2(160)
Diesel tank USA gal(l)	27.7(105)	33(125)	27.7(105)	27.7(105)
AdBlue tank USA gal(l)	7.1(27)	9.2(35)	9.2(35)	9.2(35)



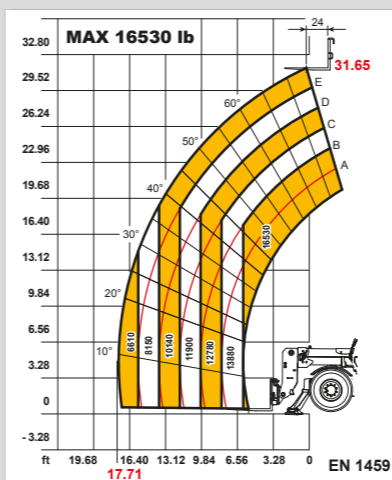
Samson 45.8



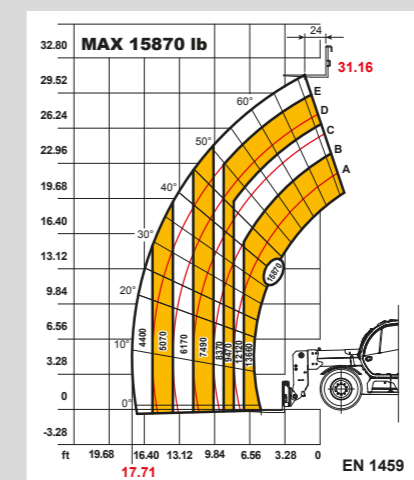
Samson 60.9 VS



Samson 65.8 VS



Samson 75.10



Samson 75.10