



HA33 JE

Excellent maneuverability

- Compact size of 4 ft 5 in width
- Stowed height can pass through a standard doorway
- 136°(+64°/-72°) fly jib range of motion
- Tight turning radius (9 ft 4 in)

Optimal productivity and comfort

- 21 ft 4 in outreach
- Long working cycles
- Full proportional controls

Reliable and easy to maintain



Haulotte 
GROUP

More than lifting





HA33 JE

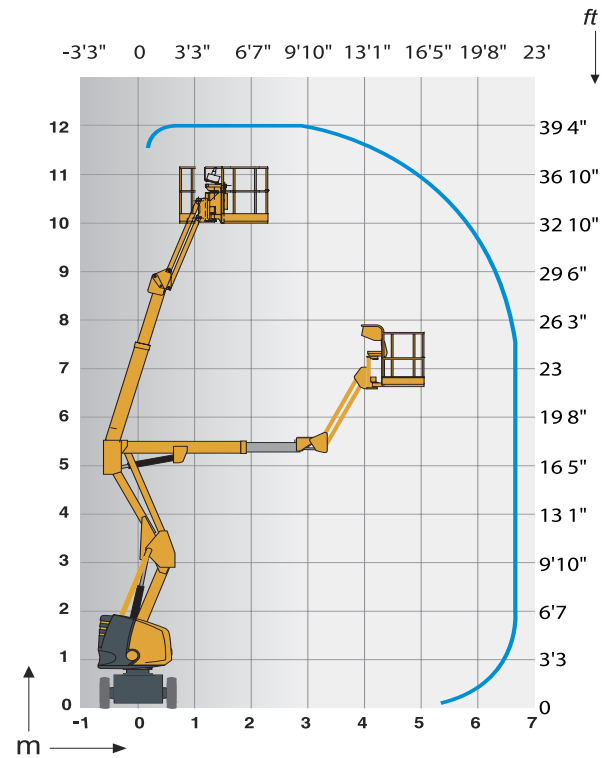


ELECTRIC ARTICULATING BOOMS

TECHNICAL DATA

HA33 JE

Working height	38 ft 10 in
Platform height	32ft 10 in
Horizontal outreach	21 ft 4 in
Up and over clearance	17 ft 5 in
Lift capacity	500 lbs
Vertical jib rotation	136° (+64/-72)
A Length	17 ft 9 in
B Width	4 ft 5 in
C Height - stowed	6 ft 9 in
Transport height	8 ft 6 in
D Wheelbase	5 ft 11 in
E Ground clearance	6 in
F x G Platform size	3 ft 11 in x 2 ft 7 in
Tailswing	0 in
Drive speed	0.4 - 2.8 mph
Turning radius - outside	7 ft 10 in
Turntable rotation	355 °
Platform rotation	170° (+80/-90)
Batteries	48 V - 345 Ah (C5)
Gradeability	25 %
Tires	6.00x12 in
Hydraulic tank capacity	8 gal
Weight	13,109 lbs



STANDARD EQUIPMENT

- 2 wheel drive
- 48 V DC drive system
- Solid state battery charger
- Solid non-marking tires
- Towing hooks and lifting points
- Descent alarm
- Hour meter
- Low voltage interrupt
- Battery charge indicator
- Tilt alarm
- AC power to the platform
- Automatic platform leveling
- Fully proportional controls
- Electronic horn
- Auxiliary power in the platform for emergency down

OPTIONS AND ACCESSORIES

- Centralized battery filling
- Flashing beacon
- Motion alarm (travel and elevate)
- Centralized battery filling
- 360 Ah traction batteries
- 70 W platform working light
- Air line to platform
- Remote electric brake release
- Biodegradable oil
- Large basket option 4ft 11in x 2ft 7in (lift capacity 441 lbs)

